

'Apollo' Valves

SUBMITTAL SHEET

LEAD FREE

LD141/WD141 Series

General Purpose Butterfly Valves



| | |
|-------------------------------|--|
| Job Name: | |
| Job Location: | |
| Engineer: | |
| Contractor: | |
| Tag: | |
| PO Number: | |
| Representative: | |
| Wholesale Distributor: | |

DESCRIPTION

The Apollo® LD141/WD141 Series Ductile Iron Butterfly Valves are ideal for use in Industrial and HVAC/Mechanical applications. The WD141 Series is a wafer style valve and the LD141 Series is a companion lug style.

FEATURES

- Compatible with ANSI 125# & 150# Flanges
- ISO 5211 Top Plate Allows Choice of Apollo® Pneumatic Actuators and manual operators
- Conforms to MSS SP-67 & API 609
- LD141 Series Suitable for End of Line Service to Rated Pressure
- 3" -24" meet performance requirements of AWWA C-504

PERFORMANCE RATING

- Pressure Rating: 2" to 12": 200 psi
- Pressure Rating: 14" to 24": 150 psi

APPROVALS

- NSF/ANSI 372 Lead Free

MATERIAL OPTIONS

Body

- Ductile Iron ASTM A536, (65-45-12)

Disc Material

- Aluminum Bronze
- Ductile Iron A536 Nickel Plated
- Stainless Steel, CF8M

Seat Material

- EPDM: -20°F to +250°F Intermittent, 225°F Continuous
- BUNA-N: +10°F to +180°F

Operator

- -0 - None
- -1 - 10 Position Handle
- -2 - Gear Operator (12" handwheels)
- -3 - Infinite Position Handle
- -4 - Locking Handle
- -5 - Gear Operator w/ Chain Wheel
- -7 - Locking Gear Operator
- -8 - Locking Gear Operator w/ Chain Wheel

STANDARD MATERIALS LIST

| Part Name | Material |
|-----------|------------------------------|
| Body | Ductile Iron ASTM A536 |
| Bushings | Glass Reinforced Epoxy Resin |
| Stem Seal | Buna-N |
| Shaft | 416 SS ASTM A276 Type 416 |

TORQUE RATING * (INCH - LBS)

| Valve Size In. | Valve Size mm | Full Rated Pressures (psi) | | | | Flow Cv Full Open |
|-------------------|------------------|----------------------------|--------|--------|--------|----------------------|
| | | ΔP 50 | ΔP 100 | ΔP 150 | ΔP 200 | |
| 2 | 50 | 100 | 106 | 111 | 117 | 115 |
| 2.5 | 65 | 150 | 163 | 176 | 189 | 196 |
| 3 | 80 | 207 | 220 | 232 | 244 | 302 |
| 4 | 100 | 290 | 323 | 357 | 390 | 600 |
| 5 | 125 | 423 | 481 | 540 | 598 | 1022 |
| 6 | 150 | 599 | 691 | 783 | 875 | 1579 |
| 8 | 200 | 1060 | 1183 | 1307 | 1430 | 3136 |
| 10 | 250 | 1671 | 1872 | 2074 | 2275 | 5340 |
| 12 | 300 | 2568 | 2795 | 3023 | 3250 | 8250 |
| 14 | 350 | 2640 | 3070 | 3500 | N/A | 11917 |
| 16 | 400 | 4260 | 4880 | 5500 | N/A | 16388 |
| 18 | 450 | 6287 | 7243 | 8200 | N/A | 21705 |
| 20 | 500 | 8360 | 9180 | 10000 | N/A | 27908 |
| 24 | 600 | 15427 | 16813 | 18200 | N/A | 43116 |

* Lubricating media service

WEIGHT

| Weight WD141 (lbs.) | Weight LD141 (lbs.) |
|---------------------------|---------------------------|
| 6 | 9 |
| 8 | 10 |
| 9 | 11 |
| 11 | 18 |
| 15 | 22 |
| 18 | 26 |
| 32 | 43 |
| 47 | 66 |
| - | 102 |
| - | 148 |
| - | 206 |
| - | 277 |
| - | 410 |
| - | 592 |

* LEAD FREE: The wetted surfaces of this product shall contain no more than 0.25% lead by weighted average. Complies with Federal Public Law 111-380. ANSI 3rd party approved and listed.

Apollo Valves / Conbraco Industries, Inc.

701 Matthews Mint-Hill Road, Matthews, NC 28105 USA

www.apollovalves.com | (704) 841-6000

This specification is provided for reference only. Conbraco Industries Inc. reserves the right to change any portion of this specification without notice and without incurring obligation to make such changes to Conbraco products previously or subsequently sold. Please visit our website @ www.apollovalves.com for the most current information.



"Apollo" Valves

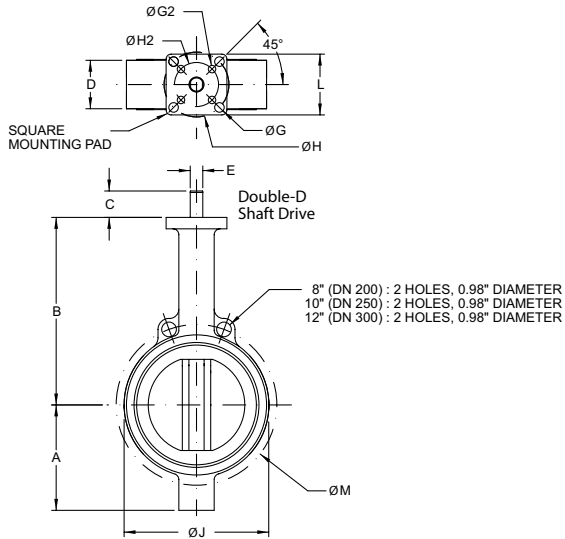
SUBMITTAL SHEET

LEAD FREE

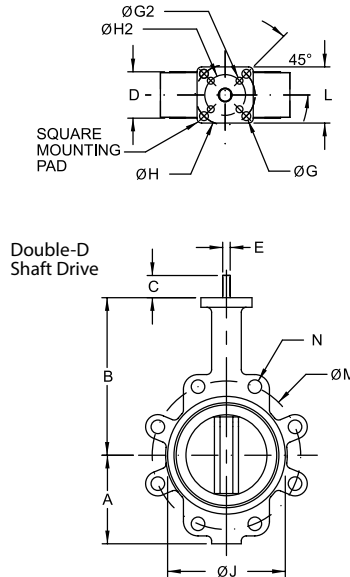
LD141/WD141 Series

General Purpose Butterfly Valves

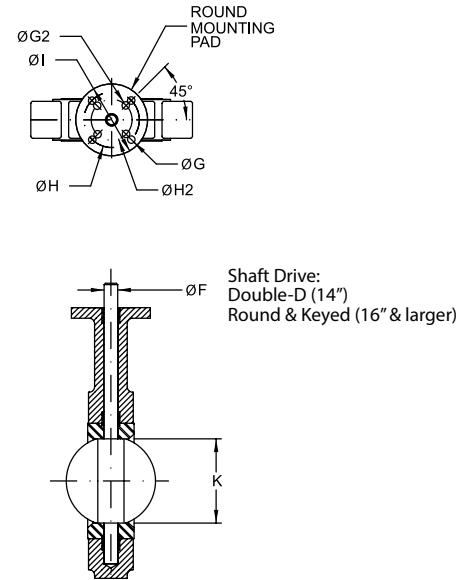
WD MODEL
2" - 12"



LD MODEL
2" - 12"



14" - 24"



DOUBLE-D AND KEYED STEM

| Size Inches | Size DN | Dimensions in Inches | | | | | | | | | | | | | | | | | |
|-------------|---------|----------------------|--------|------|------|-------|-------|-------|-------|-------|-------|-------|-------|-------|-------|--------|-------|--------|---------|
| | | A | B | C | D | E | ØF | ØG | ØG2 | Key | ØH | ØH2 | ØI | ØJ | K | L | M | N (WD) | N (LD) |
| 2 | 50 | 3.25 | 6.375 | 1.25 | 1.75 | 0.394 | 0.496 | 0.375 | -- | -- | 2.756 | -- | 2.699 | 4 | 2.09 | 1.113 | 4.75 | 0.688 | .625-11 |
| 2.5 | 65 | 3.75 | 6.880 | 1.25 | 1.88 | 0.394 | 0.496 | 0.375 | -- | -- | 2.756 | -- | 2.699 | 4.75 | 2.54 | 1.706 | 5.50 | 0.688 | .625-11 |
| 3 | 80 | 4.00 | 7.130 | 1.25 | 1.88 | 0.394 | 0.496 | 0.375 | -- | -- | 2.756 | -- | 2.699 | 5.13 | 3.09 | 2.450 | 6.00 | 0.688 | .625-11 |
| 4 | 100 | 4.88 | 7.880 | 1.25 | 2.13 | 0.472 | 0.621 | 0.375 | -- | -- | 2.756 | -- | 2.699 | 6.75 | 4.09 | 3.488 | 7.50 | 0.688 | .625-11 |
| 5 | 125 | 5.38 | 8.380 | 1.25 | 2.25 | 0.551 | 0.745 | 0.375 | -- | -- | 2.756 | -- | 2.699 | 7.75 | 4.85 | 4.296 | 8.50 | 0.813 | .625-11 |
| 6 | 150 | 5.88 | 8.880 | 1.25 | 2.25 | 0.551 | 0.745 | 0.375 | -- | -- | 2.756 | -- | 2.699 | 8.63 | 6.13 | 5.697 | 9.50 | 0.813 | .751-10 |
| 8 | 200 | 7.13 | 10.250 | 1.75 | 2.50 | 0.669 | 0.870 | 0.563 | 0.438 | -- | 4.921 | 4.015 | 4.606 | 10.56 | 7.89 | 7.468 | 11.75 | 0.813 | .750-10 |
| 10 | 250 | 8.25 | 11.500 | 1.88 | 2.75 | 0.866 | 1.120 | 0.563 | 0.438 | -- | 4.921 | 4.015 | 4.606 | 13.06 | 9.89 | 9.484 | 14.25 | 0.938 | .750-10 |
| 12 | 300 | 9.75 | 13.250 | 1.88 | 3.13 | 0.945 | 1.244 | 0.563 | -- | -- | 4.921 | -- | 4.606 | 16 | 11.89 | 11.456 | 17.00 | 0.938 | .875-9 |
| 14* | 350 | 11.00 | 14.500 | 1.88 | 3.13 | 0.945 | 1.244 | 0.563 | -- | -- | 4.921 | -- | Ø5.91 | 17.13 | 13.38 | 13.000 | 18.75 | 1.060 | .875-9 |
| 16* | 400 | 12.00 | 15.750 | 2.00 | 3.50 | -- | 1.313 | 0.563 | -- | 0.313 | 4.921 | -- | Ø5.91 | 20 | 15.38 | 14.970 | 21.25 | 1.060 | 1.00-8 |
| 18* | 450 | 14.38 | 16.630 | 2.00 | 4.25 | -- | 1.500 | 0.813 | -- | 0.375 | 6.496 | -- | Ø8.27 | 21.38 | 17.38 | 16.847 | 22.75 | 1.250 | 1.00-8 |
| 20* | 500 | 14.63 | 18.880 | 2.50 | 5.25 | -- | 1.625 | 0.813 | -- | 0.375 | 6.496 | -- | Ø8.27 | 23.31 | 19.38 | 18.650 | 25.00 | 1.250 | 1.125-7 |
| 24* | 600 | 18.00 | 22.130 | 2.75 | 6.13 | -- | 2.000 | 0.813 | -- | 0.500 | 6.496 | -- | Ø8.27 | 27.88 | 23.38 | 22.558 | 29.50 | 1.380 | 1.125-7 |

*LD141 Series only

Apollo Valves / **Conbraco Industries, Inc.**
701 Matthews Mint-Hill Road, Matthews, NC 28105 USA
www.apollovalves.com | (704) 841-6000

This specification is provided for reference only. Conbraco Industries Inc. reserves the right to change any portion of this specification without notice and without incurring obligation to make such changes to Conbraco products previously or subsequently sold. Please visit our website @ www.apollovalves.com for the most current information.

